

CHAPTER 19

SIGN REGULATIONS

14-19-101	PURPOSE AND SCOPE
14-19-102	APPLICABILITY AND EFFECT
14-19-103	DEFINITIONS
14-19-104	INTERPRETATION
14-19-106	RIGHT OF APPEAL
14-19-107	NONCOMPLYING SIGNS
14-19-108	PROHIBITED SIGNS
14-19-109	SIGNS ALLOWED IN ALL ZONES WITHOUT A PERMIT
14-19-110	FLAGS AND FLAGPOLES
14-19-111	SIGNS PERMITTED IN PROFESSIONAL OFFICE (P-O) AND HOSPITAL (H) ZONES
14-19-112	SIGNS PERMITTED IN THE GENERAL COMMERCIAL (C-G) ZONE WITH A PERMIT
14-19-113	SIGNS PERMITTED IN THE HEAVY COMMERCIAL (C-H) ZONE WITH A PERMIT
14-19-114	SIGNS PERMITTED IN THE NEIGHBORHOOD COMMERCIAL (C-N) ZONE WITH A PERMIT
14-19-115	SIGNS PERMITTED IN THE DOWNTOWN (DN) ZONE WITH A PERMIT
14-19-116	SIGNS PERMITTED IN ALL RESIDENTIAL ZONES
14-19-117	TEMPORARY SIGNAGE
14-19-118	SIGN PERMIT PROCESS
14-19-119	SAFETY AND LOCATION STANDARDS FOR PERMANENT SIGNS
14-19-120	MEASUREMENT OF REGULATED SIGN AREA
14-19-121	ELECTRONIC MESSAGE CENTER STANDARDS

14-19-101 PURPOSE AND SCOPE

- A. The type, location and design of signs can either enhance or degrade a community, and therefore the City has a compelling interest to regulate the time, place, and manner in which signs are erected. The purpose of this Sign Code is to:
1. Encourage the effective and innovative use and design of signs as a means of communication.
 2. Maintain and enhance the aesthetic environment in order to attract sources of economic and business development and growth.
 3. Coordinate the type, placement, scale, compatibility, and aesthetics of signs within the different zones by recognizing the commercial communication requirements of the business community.
 4. Improve pedestrian and traffic safety through the prevention of visual obstructions and distractions.
 5. Minimize the possible adverse effect of signs on nearby public and private property.

- 6. Promote both renovation and proper maintenance of signs.
- 7. Enable the fair and consistent enforcement of these sign regulations.
- B. This Code does not regulate official traffic or government signs; the copy and message of permitted signs; window signs and displays not intended to be viewed from a public right-of-way; religious symbols; commemorative plaques; display of street numbers; or any display or construction not defined as a sign.
- C. It is not the intent of this Code to regulate the content of political speech.

14-19-102 APPLICABILITY AND EFFECT

- A. A sign shall be erected, placed, established, painted, created or maintained in Bountiful City only in conformance with the standards, procedures, exemptions, and other requirements of this Chapter.
- B. The effect of this Chapter as more specifically set forth herein, is:
 - 1. To establish a regulatory process addressing the time, place and manner in which signs are permitted.
 - 2. To provide standards for temporary signs.
 - 3. To prohibit all signs not expressly permitted by this Chapter.
 - 4. To provide for enforcement of the provisions of this Chapter.

14-19-103 DEFINITIONS

All definitions have been moved to Chapter 3

14-19-104 INTERPRETATION

When interpreting and applying the provisions of this chapter, the sign regulations contained herein are declared to be the maximum allowable for the purposes set forth.

14-19-105 ENFORCEMENT

- A. Any sign not expressly allowed by this Code is prohibited.
- B. The erection of a prohibited sign, or permitting the continued existence of a prohibited sign in violation of this Code, is a class C misdemeanor. Each day of violation is a separate offense.
- C. There are certain situations where a sign poses or may pose an immediate public safety hazard. The following signs shall be deemed unlawful and hazardous to the public safety, and are declared to be a public nuisance. Any employee of the City is authorized to immediately abate, remove, or otherwise remedy the following signs:

1. Any sign or related structure which interferes with the safe view of drivers entering a public right-of-way from any driveway or property.
 2. Any sign that extends over any pedestrian or vehicular travel area, unless specifically authorized by the City.
 3. Any sign which interferes with the use of any fire escape, exit, required stairway, door ventilator or window.
 4. Any sign which has less horizontal or vertical clearance from communication lines and/or energized electrical power lines than required by adopted safety standards, according to the provisions of City Code and the Bountiful Light and Power Department.
 5. Any sign that is located on or that encroaches upon publicly owned land, a public right-of-way, or a public easement, except signs owned and erected by permission of an authorized public agency or that are specifically authorized herein.
- D. Any sign placed in the public right-of-way without City approval is declared to be a public nuisance and may be summarily removed by any employee of the City.
- E. The Planning Director and any designated representatives shall be vested with the duty of enforcing this title, and in performance of such duty shall be empowered and directed to:
1. Issue a permit to construct, alter, or repair a sign which conforms to the provisions of this Chapter. The expiration date of such permit shall be one hundred eighty (180) days.
 2. Ascertain that a sign is constructed and maintained in conformance with the provisions of this Title, which includes the following actions:
 - a. Initial Inspection After Construction. The Planning Director or the Building Official may make an initial inspection upon the completion of construction, erection, re-erection, or remodeling of any sign for which a permit has been issued and an inspection request is made. This shall include the inspection of temporary signs using electrical connection.
 - b. Re-Inspection (when necessary). The Planning Director or an authorized representative may re-inspect any sign for which a permit was issued but which did not pass a previous inspection.
 3. Institute any appropriate action or proceeding where any sign is unlawfully erected, constructed, reconstructed, altered, repaired, converted, or maintained, or in any case where any sign is used in violation of this Title or any other City Code. Such actions include, but are not limited to, the following:
 - a. Issuance of Notices of Violations and Information. The Planning Director or authorized representative may issue a written notice of violation to the person having charge or control over, or that benefit from any sign found

to be unsafe or dangerous or in violation of this Chapter. Such official may swear to information against violators.

b. Abatement and Removal of Unsafe or Dangerous Signs. If an unsafe or dangerous sign is not repaired or made safe within five (5) working days after giving said notice, the Planning Director may at once abate and remove said sign, or in the alternative, use all available legal means to have the sign removed. If the City or its agent removes the sign, the person having charge or control over, or that benefits from the sign shall pay to Bountiful City the costs incurred in such removal within 30 calendar days after written notice is provided.

c. Abatement and Removal of Unlawful Signs.

i. If a permanent sign is installed without a permit or is otherwise unlawful or prohibited as defined by this chapter, and is not made conforming within thirty (30) calendar days after written notice has been given, the Planning Director may at once abate and remove said sign, or in the alternative, use all available legal means to have the sign removed, including but not limited to criminal or civil court action with the appropriate court. The person responsible for and/or property owner allowing any such unlawful posting shall be liable for the cost incurred in the removal thereof and the City is authorized to effect the collection of said cost from them.

ii. If a temporary sign posted upon private property has been installed without a permit or is otherwise unlawful as defined by this Title, it shall be removed or made conforming within seventy two (72) hours of written notice of the violation. If it has not been made conforming within seventy two (72) hours, either through removal of the temporary sign or by obtaining a temporary sign permit, the Planning Director may at once abate and remove said temporary sign, or in the alternative, use all available legal means to have the sign removed, including but not limited to criminal or civil court action with the appropriate court. The person responsible for and/or property owner allowing any such unlawful posting shall be liable for the cost incurred in the removal thereof and the City is authorized to effect the collection of said cost from them.

iii. Any sign that the City removes for encroachment into a public right-of-way or easement, or that is located on public property without the City's permission shall be held for a maximum period of fourteen (14) days before being destroyed. In no case shall the failure to remove a sign constitute an approval by the City of the unlawful placement of the sign.

d. Legal Action. Initiate legal action through the City Attorney's Office.

4. Abate and Remove Non-Maintained or Abandoned Sign or Sign Identifying a Discontinued Use. The Planning Director may require that each non-maintained

or abandoned sign, or sign identifying a discontinued use be removed from the building or premises within forty-five (45) calendar days after providing written notice to the owner or persons benefiting from the sign.

14-19-106 RIGHT OF APPEAL

Any person who has been ordered to alter or remove any permanent sign, or any person whose application for a sign permit has been denied because of a conflict with any regulation stated herein, may appeal the decision as set forth in section 14-2-106 of this Title.

14-19-107 NONCOMPLYING SIGNS

- A. Regulation, containment, and elimination. In order to minimize confusion and unfair competitive disadvantage to those businesses which are required to satisfy the current Sign Code standards, the City intends to apply firm regulation of existing nonconforming signs with a goal of their eventual elimination. This goal shall be achieved by strictly construing limits on change, expansion, alteration, abandonment, and restoration. Excluding normal maintenance and repair, a noncomplying sign shall not be moved, altered, or enlarged unless it is brought into compliance with this Chapter. The following exceptions shall be permitted:
1. A face change in a noncomplying sign that does not encroach onto a public right-of-way or easement, and that is not deemed a public safety hazard by the Planning Director or City Engineer.
 2. A copy change in a noncomplying permanent sign which was originally approved by the City with a changeable copy feature.
- B. Abandonment. Within forty-five (45) calendar days after vacation of an existing business, a noncomplying sign shall be removed unless the property owner informs the City in writing of his intention to re-use the sign. The property owner shall be allowed one (1) year to establish a new use on the site. If the property owner does not take action within fourteen (14) days of written notice of violation, or if the signs are not re-used within the one (1) year period, the City may abate the signs and recover any and all costs. An abandoned sign shall not regain any legal noncomplying status later, even if the original business reoccupies the property.

14-19-108 PROHIBITED SIGNS

- A. Prohibited Sign Devices. Any sign not specifically allowed by this Chapter is prohibited. In addition, the following sign devices are prohibited anywhere in the City, unless specifically permitted herein:
1. A hot or cold air balloon, or inflatable, with the following exceptions:
 - a. Temporary signs, as allowed by this Title,
 - b. As part of a grand opening period, not to exceed thirty (30) days.

2. Animated signs are prohibited throughout the City, except in the Heavy Commercial (C-H) Subzone where they are allowed subject to the restrictions set forth in Section 14-19-113.
3. Any statuary bearing the likeness or suggestion of any product or logo.
4. Any roof sign.
5. Any snipe sign.
6. Any temporary sign except as allowed in this Title.
7. Any bus bench sign.
8. Any truck, trailer, or other vehicle, conspicuously, or regularly parked on-premises or off-premises with an advertising message or logo displayed to attract attention to a business, product or promotion. The Planning Director or representative may require a business to remove such truck, trailer, or other vehicle if in his opinion the vehicle is being utilized for advertising purposes.
9. Any Graffiti.
10. Any beacon or spotlight directed into the night sky except as part of an approved promotional period as a temporary sign.
11. Any off-premises sign (includes billboards), off-premises directional sign, or off-premises development sign, except as allowed herein.

B. Hand-bills, signs on public places and objects.

1. No person shall place or maintain any hand-bill, sign, or other depiction in or upon any City owned real or personal property.
2. Any hand-bill, sign, or other depiction found posted upon any public property contrary to the provisions of this section is hereby declared to be a public nuisance and may be summarily removed by the City. The person responsible for any such unlawful posting shall be liable for the cost incurred in the removal thereof and the City is authorized to recover said cost by any legal means.
3. Nothing in this section shall apply to the installation of a sign for which the City has granted a written permit.

C. Unsafe Signs. No sign shall be permitted which is for any reason a threat to public safety in the reasonable opinion of the City Engineer, or which by its location impairs the view of a driver traveling on, exiting from, or entering upon, a public street, or which is otherwise unsafe for vehicular or pedestrian traffic. Any such sign is hereby declared to be a public nuisance and may be summarily removed by the City.

14-19-109 SIGNS ALLOWED IN ALL ZONES WITHOUT A PERMIT

The following signs are allowed in any zone, except on public property, without a sign permit:

- A. One (1) on-premises directional sign whose sole purpose is to provide direction or instruction, and which does not exceed five (5) square feet in area or four (4) feet in height.
- B. The flag of any nation or political subdivision. No flag shall exceed thirty two (32) square feet in size. Not more than one (1) flag of each entity shall be flown at a time. Large flags flown in high wind may be deemed a noise and/or public safety nuisance and are subject to removal.
- C. Any regulatory sign.
- D. Any sign of twelve (12) square feet or less located in a residential single-family zone, located in accordance with the provisions of the particular zone.
- E. Any sign of twenty-four (24) square feet or less located in a residential multi-family zone, located in accordance with the provisions of the particular zone.
- F. Any holiday decoration that does not bear any commercial logo or message shall not be considered a sign.
- G. An approved sign with changeable copy area shall not require a permit to change the copy area.
- H. A political sign may be posted on any private property at any time, in accordance with provisions of this section and the temporary sign provisions of this Title.

14-19-110 FLAGS AND FLAGPOLES

- 1. Flags greater than 32 square feet in size, and flagpoles greater than 50 feet in height, are prohibited in all zones except as provided in this section.
- 2. In Commercial-General (C-G) and Commercial-Heavy (C-H) zones only, and on municipal property in all zones, flags more than 32 square feet and up to 1800 square feet in size, and flagpoles more than 50 feet and up to 120 feet in height, may be granted as a conditional use.
 - a. A conditional use permit under subsection (b) may be granted if the following conditions are met:
 - i. The property or business where it is located must be three acres or greater in size;
 - ii. The property or business where it is located must have a minimum total street frontage of at least five hundred (500) feet; and
 - iii. A second flagpole cannot be located within one thousand feet (1,000) feet of an existing flagpole.
 - b. Every conditional use permit granted hereunder is subject to the following regulations:

- i. only be the flag of the United States shall be flown except that a second flag up to 375 square feet in size may be flown on the same pole, subordinate to the American Flag;
 - ii. the flag must be maintained in good condition or it cannot be flown;
 - iii. in the event of a high wind the City Engineer may, in the reasonable exercise of discretion, order that the flag be taken down immediately until the wind subsides;
 - iv. the flagpole is subject to the abandoned Sign Code of Title 14;
 - v. The second flag authorized herein shall not be flown without the flag of the United States. The second flag shall be only the Utah state flag or an on-premise business identification flag. If the American flag is flown at half staff the second flag shall not be flown.
 - vi. There may only be one flagpole per property or business;
 - vii. Lighting shall be restricted as much as possible and shall not create a light problem for traffic, other businesses, or residents;
 - viii. The flagpole shall be maintained in such a manner that it does not create an unreasonable noise from the flag, chain, rope or other mechanisms or parts.
3. Additional conditions may be imposed to mitigate any adverse affects relating to the viewscape, noise, location upon the property, lighting, traffic, visibility and other issues related to the flag and flagpole.
 4. A sign permit and a building permit are required for any such flagpole.

14-19-111 SIGNS PERMITTED IN PROFESSIONAL OFFICE (P-O) AND HOSPITAL (H) ZONES

- A. The following sign types are permitted in Professional Office (P-O) and Hospital (H) Zones with a permit:
 1. Signs allowed. Each lot or parcel shall be allowed a permit for one (1) monument sign per street frontage, and any wall and accessory signs as permitted.
 2. Monument Sign. A lot or parcel with less than one hundred (100) linear feet of frontage shall be allowed one (1) monument sign of up to thirty-two (32) square feet with a maximum height of four (4) feet. A lot or parcel with one hundred (100) linear feet of frontage or greater shall be allowed one monument sign of up to sixty-four (64) square feet with a maximum height of six (6) feet, or two (2) monument signs of up to thirty-two (32) square feet each with a maximum height of four (4) feet. Such sign shall be located at least five (5) feet from any property line, in an area of landscaping equal or greater than the area of the sign, and on a landscaped berm not to exceed two (2) feet in height as measured at the adjacent sidewalk or top back of curb.

3. Freestanding or Pole Sign. A pole sign or other free-standing sign shall be expressly prohibited.
4. Wall signs. Sign area of up to ten percent (10%) of the primary facade with a maximum of sixty-four (64) square feet, with secondary signs allowed on two (2) additional faces not to exceed five percent (5%) of that wall surface with a maximum of thirty-two (32) square feet. No sign shall extend above the roof line of the building. Sign permit required.
5. Canopy or awning signs. Sign copy, including logo, shall not exceed twelve (12) square feet or fifty percent (50%) of awning face area whichever is less. No flashing or intermittent illumination permitted. Awning signs shall be considered wall signs for area calculation and location purposes.
6. Changeable copy signs. Any changeable copy sign is expressly prohibited except on parcels of ground three (3) acres or larger within the Hospital (H) zone. Where permitted, one (1) changeable copy sign, not to exceed thirty-two (32) square feet, shall be allowed along each frontage of one hundred (100) linear feet or greater.
7. On-Premises Development Identification Signs. Each lot or parcel of commercial or industrial property shall have not more than one (1) sign per public or private street frontage identifying future site development. The sign shall not be erected before the proposed development has been submitted for site plan review and must be removed before final inspection or before permanent signs are installed. The sign shall not exceed fifteen (15) feet in height, and the maximum size shall be determined by the lot or parcel size as follows:

Less than Two (2) acres: Sixty four (64) square feet.

Two (2) acres or larger: One hundred twenty eight (128) square feet.

B. Other Approvals.

1. Any site plan application for a new multi-tenant center or building shall include a proposal for all on-premises signs.
2. In cases with parcels of land of five (5) acres or larger, and with frontage of three hundred (300) feet or more, a proposal for the overall design and placement of all on-premises signs shall be submitted. Such signs may vary from the regulations set forth herein and shall be considered as a conditional use for existing projects, or as a condition of site plan approval for new projects. This provision does not grant the applicant any expectation of approval of any sign that differs from the requirements of this Title; rather it allows the City the ability to approve signing schemes appropriate to the scale and impact of a project. The approving body must determine that the proposed sign exceptions are not in conflict with the purpose and intent of this Chapter, are in harmony with the general plan and surrounding development, and are appropriate to the scale and impact of the project.

14-19-112 SIGNS PERMITTED IN THE GENERAL COMMERCIAL (C-G) ZONE

A. The following sign types are allowed in the General Commercial (C-G) Zones with a permit:

1. Each parcel of property shall be allowed either monument signs or one (1) freestanding (pole) sign on each street frontage, and any wall and accessory signs as permitted.
2. Monument Sign. Monument signs shall meet the following requirements:
 - a. A lot or parcel with less than one hundred (100) linear feet of frontage shall be allowed one (1) monument sign of up to thirty-two (32) square feet with a maximum height of four (4) feet.
 - b. A lot or parcel with one hundred (100) linear feet of frontage or greater shall be allowed one (1) monument sign of up to sixty-four (64) square feet with a maximum height of six (6) feet, or two (2) monument signs of up to thirty-two (32) square feet each with a maximum height of four (4) feet.
 - c. Such sign shall be located at least five (5) feet from any property line, in an area of landscaping equal to or greater than the area of the sign, and on a landscaped berm not to exceed two (2) feet in height as measured at the adjacent sidewalk or top back of curb.
3. Freestanding or Pole Signs. Freestanding or pole signs shall meet the following requirements:
 - a. Minimum one hundred (100) linear feet of street frontage for pole signs.
 - b. Maximum height of fifteen (15) feet.
 - c. Minimum ground clearance of eight (8) feet from street grade to bottom of sign.
 - d. Minimum setback of five (5) feet from any public right-of-way or any property line.
 - e. Maximum pole width of two (2) feet.
 - f. Minimum setback of ten (10) feet from any residential use or zone.
 - g. Signs shall be engineered to withstand one hundred (100) mph wind loads.
 - h. Sign structure, excluding pole and base, shall not exceed sixty four (64) sq. ft. for each side of a double faced sign, or sixty four (64) sq ft total sign area on multi-faced signs.
4. Wall signs. Wall signs shall meet the following requirements:

- a. Maximum sign area of twenty percent (20%) of the primary facade of the building. Secondary signs allowed on three (3) additional facades not to exceed five percent (5%) of those facades.
 - b. No sign, nor part of any sign, shall extend more than two (2) feet above the highest point of a flat roof or mansard roof.
 - c. Corner parcels may have a maximum of twenty percent (20%) sign area on both facades facing a public street.
5. Canopy or awning signs. Canopy or awning signs shall meet the following requirements:
- a. Sign copy, including logo, not to exceed twelve (12) square feet or fifty percent (50%) of awning face area whichever is less.
 - b. No flashing or intermittent illumination permitted.
 - c. Awning signs are considered wall signs for area calculation and location purposes.
6. Projecting signs. Projecting signs shall meet the following requirements:
- a. Project not more than two (2) feet from the face of a wall and shall not project over any public right of way.
 - b. Mounted no higher than fifteen (15) feet above the finished grade and allow no less than ten (10) feet of clearance between the bottom of the sign and the finished grade.
 - c. The area of the sign shall be included in the total square footage allowed for flat and wall signs on the side of the building on which it is mounted.
7. Changeable copy signs. Changeable copy signs shall meet the following requirements:
- a. Manual changeable copy signs are allowed but are limited to not more than fifty percent (50%) of any sign area.
 - b. Electronic reader boards and panels are prohibited.
8. Window Signs. Window signs shall meet the following requirements:
- a. Window signs which are intended to be visible from the public right-of-way and are painted on or temporarily affixed to the window surface shall cover no more than twenty five (25%) of the entire surface area of a group of windows and,
 - b. Shall not be affixed as to block clear view of exits or entrances or to create a safety hazard.

- c. This applies also to inside illuminated signs (e.g., neon, etc.) which are within 18 inches of the window surface. No sign permit required. All window signs will be counted as part of the total allowed sign area for wall signs.
- 10. Gas Stations Signs. Signs for canopies over gas islands are allowed and shall meet the following requirements:
 - a. Sign copy shall be a maximum of thirty (30%) of the face of the canopy.
 - b. The height to the top of the canopy fascia shall not exceed twenty (20) feet from grade, and no canopy fascia shall exceed four (4) feet in height.
 - c. Individual letters, logos, or symbols shall not exceed four (4) feet in height or project out from the fascia or wall more than six (6) inches.
- 11. Menu Boards. Menu boards shall meet the following requirements:
 - a. For drive-in restaurants, they shall be reviewed and approved by the Planning Department. The following shall apply although the Planning Commission may approve them at different locations depending upon circumstances:
 - b. Only two (2) menu boards are allowed per site and must be located outside of the front landscaped setback area.
 - c. Maximum area shall not exceed sixty-four (64) square feet per sign and eight (8) feet in height.
- 12. On-Premises Development Identification Signs. On-premises development identification signs shall meet the following requirements:
 - a. Each lot or parcel of commercial or industrial property shall have no more than one (1) sign per public or private street frontage identifying future site development.
 - b. The sign shall not be erected before the proposed development has been submitted for site plan review.
 - c. The sign shall be removed before final inspection or before permanent signs are installed.
 - d. The sign shall not exceed fifteen (15) feet in height, and the maximum size shall be determined by the lot or parcel size as follows:

Less than two (2) acres: Sixty four (64) square feet

Two (2) acres or larger: One hundred twenty eight (128) square feet

B. Other Approvals.

1. All new multi-tenant centers/ buildings must submit a proposal for all on-premises signs to the Planning Commission for design and placement approval.
2. In cases with parcels of land of five (5) acres or larger, and with frontage of three hundred (300) feet or more, a proposal for the overall design and placement of all on-premises signs shall be submitted. Such signs may vary from the regulations set forth herein and shall be considered as a conditional use for existing projects, or as a condition of site plan approval for new projects. This provision does not grant the applicant any expectation of approval of any sign that differs from the requirements of this Title; rather it allows the City the ability to approve signing schemes appropriate to the scale and impact of a project. The approving body must determine that the proposed sign exceptions are not in conflict with the purpose and intent of this Chapter, are in harmony with the general plan and surrounding development, and are appropriate to the scale and impact of the project.

14-19-113 SIGNS PERMITTED IN THE HEAVY COMMERCIAL (C-H) ZONE

A. The following sign types are allowed in the Heavy Commercial (C-H) Zones with a permit:

1. Each parcel of property shall be allowed either monument signs or one (1) freestanding (pole) sign on each street frontage, and any wall and accessory signs as permitted.
2. Monument Sign. Monument signs shall meet the following requirements:
 - a. A lot or parcel with less than one hundred (100) linear feet of frontage shall be allowed one (1) monument sign of up to thirty-two (32) square feet with a maximum height of four (4) feet.
 - b. A lot or parcel with one hundred (100) linear feet of frontage or greater shall be allowed one (1) monument sign of up to sixty-four (64) square feet with a maximum height of six (6) feet, or two (2) monument signs of up to thirty-two (32) square feet each with a maximum height of four (4) feet.
 - c. Such sign shall be located at least five (5) feet from any property line, in an area of landscaping equal to or greater than the area of the sign, and on a landscaped berm not to exceed two (2) feet in height as measured at the adjacent sidewalk or top back of curb.
3. Freestanding or Pole Signs. Freestanding or pole signs shall meet the following requirements:
 - a. A lot or parcel with at least one hundred (100) linear feet of frontage shall be allowed one (1) freestanding sign of up to Sixty (60) square feet for the first one hundred (100) feet of lineal street frontage plus one (1) square

foot for each lineal foot of frontage over one hundred (100), to a maximum of one hundred twenty (120) square feet total.

- b. Double faced signs shall be allowed the maximum area on each side.
 - c. Multi-faced signs shall be allowed only a combined sign face total equal to the maximum area allowed.
 - d. Maximum height of thirty (30) feet.
 - e. Minimum ground clearance of seven (7) feet from sign grade to bottom of sign.
 - f. Maximum pole width of two (2) feet.
 - g. Minimum setback of five (5) feet from any public right-of-way and/or street property line.
 - h. Minimum setback of ten (10) feet from any residential use or zone.
 - i. Signs shall be engineered to the standards of the adopted version of the International Building Code.
- 1) Freestanding Freeway-Oriented Signs. A freestanding sign located immediately adjacent to the I-15 corridor or Frontage Road shall meet all the criteria of this section except that it shall not exceed forty (40) feet in height nor have a pole and/or pole cover that exceed four (4) feet in width.
4. Wall signs. Wall signs shall meet the following requirements:
- a. Maximum sign area of twenty percent (20%) of the facade of the building facing the main public street with secondary signs allowed on two (2) additional faces not to exceed five percent (5%) of that wall surface.
 - b. No sign, nor part of any sign, shall extend more than two (2) feet above the highest point of a flat roof or mansard roof. Corner parcels may have a maximum of twenty percent (20%) sign area on both facades facing a public street.
5. Canopy or awning signs. Canopy or awning signs shall meet the following requirements:
- a. Sign copy, including logo, not to exceed twelve (12) square feet or fifty percent (50%) of awning face area whichever is less.
 - b. No flashing or intermittent illumination permitted.
 - c. Awning signs are considered wall signs for area calculation and location purposes.

6. Projecting signs. Projecting signs shall meet the following requirements:
 - a. Project not more than two (2) feet from the face of a wall and shall not project over a public right-of-way.
 - b. Be mounted no higher than fifteen (15) feet above the finished grade and allow no less than ten (10) feet of clearance between the bottom of the sign and the finished grade.
 - c. Be included in the total square footage allowed for flat and wall signs on the side of the building on which it is mounted as measured under Section 14-19-117 of this Chapter.

7. Changeable copy signs. Manual changeable copy signs shall meet the following requirements:
 - a. Manual changeable copy signs shall be limited to fifty (50%) of the total sign area.
 - b. Electronic changeable copy signs shall be limited to fifty (50%) or thirty-two (32) square feet of the total sign area, whichever is less.
 - c. Electronic changeable copy signs located on properties immediately abutting the I-15 corridor or frontage road shall be limited to fifty (50%) or sixty four (64) square feet of the total sign area, whichever is less, and that the sign shall be reduced in brightness by fifty percent (50%) between the hours of eleven (11) p.m. and six (6) a.m.

8. Window Signs. Window signs shall meet the following requirements:
 - a. Window signs which are intended to be visible from the public right-of-way and are painted on or temporarily affixed to the window surface shall cover no more than twenty five percent (25%) of the entire surface area of a group of windows.
 - b. Shall not be affixed as to block clear view of exits or entrances or to create a safety hazard.
 - c. This applies also to inside illuminated signs (e.g., neon, etc.) which are within eighteen (18) inches of the window surface. No sign permit required.
 - d. All window signs will be counted as part of the total allowed sign area for wall signs.

9. Gas Stations Signs. Signs for canopies over gas islands are allowed as follows:
 - a. Sign copy shall be a maximum of thirty percent (30%) of the face of the canopy.

- b. The height to the top of the canopy fascia shall not exceed twenty (20) feet from grade, and no canopy fascia shall exceed four (4) feet in height.
 - c. Individual letters, logos, or symbols shall not exceed four (4) feet in height or project out from the fascia or wall more than six (6) inches.
10. Menu Boards. Menu boards for drive-in restaurants shall be reviewed and approved by the Planning Department at site plan review. The following shall apply although the Planning Commission may approve them at different locations depending upon circumstances:
- a. Only two (2) menu boards are allowed per site and shall be located outside of the front landscaped setback area.
 - b. Maximum area shall not exceed sixty-four (64) square feet per sign and eight (8) feet in height.
11. On-Premises Development Identification Signs. On-premises development identification signs shall meet the following requirements:
- a. Each lot or parcel of commercial or industrial property shall have not more than one (1) sign per public or private street frontage identifying future site development.
 - b. The sign shall not be erected before the proposed development has been submitted for site plan review and must be removed before final inspection or before permanent signs are installed.
 - c. The sign shall not exceed fifteen (15) feet in height, and
 - d. The maximum size shall be determined by the lot or parcel size as follows:
- Less than two (2) acres: Sixty four (64) square feet.
Two (2) acres or larger: One hundred twenty eight (128) square feet.
12. Animated Sign. The only type of animated sign permitted is an electronic reader board or panel, subject to the height, area, and other restrictions of this Chapter.

B. Other Approvals.

- 1. All new multi-tenant centers/ buildings shall submit a proposal for all on-premises signs to the Planning Commission for design and placement approval.
- 2. In cases with parcels of land of five (5) acres or larger, and with frontage of three hundred (300) feet or more, a proposal for the overall design and placement of all on-premises signs shall be submitted. Such signs may vary from the regulations set forth herein and shall be considered as a conditional use for existing projects, or as a condition of site plan approval for new projects. This provision does not grant the applicant any expectation of approval of any sign that differs from the requirements of this Title; rather it allows the City the ability to approve signing

schemes appropriate to the scale and impact of a project. The approving body must determine that the proposed sign exceptions are not in conflict with the purpose and intent of this Chapter, are in harmony with the general plan and surrounding development, and are appropriate to the scale and impact of the project.

14-19-114 SIGNS PERMITTED IN THE NEIGHBORHOOD COMMERCIAL (C-N) ZONE

- A. The following sign types are allowed in the Neighborhood Commercial (C-N) Zones with a permit:
1. Each parcel of property shall be limited to monument signs and any wall and accessory signs as permitted.
 2. Monument Sign. Monument signs shall meet the following requirements:
 - a. A lot or parcel with less than one hundred (100) linear feet of frontage shall be allowed one (1) monument sign of up to thirty-two (32) square feet with a maximum height of four (4) feet.
 - b. A lot or parcel with one hundred (100) linear feet of frontage or greater shall be allowed one monument sign of up to sixty-four (64) square feet with a maximum height of six (6) feet, or two (2) monument signs of up to thirty-two (32) square feet each with a maximum height of four (4) feet.
 - c. Such sign shall be located at least five (5) feet from any property line, in an area of landscaping equal or greater than the area of the sign, and on a landscaped berm not to exceed two (2) feet in height as measured at the adjacent sidewalk or top back of curb.
 3. Wall signs. Wall signs shall meet the following requirements:
 - a. Maximum sign area of fifteen (15%) of the primary facade of the building.
 - b. A corner property may have signs on the facade facing the secondary street, with a maximum sign area of five (5%) of that facade.
 - c. No portion of the sign shall extend more than two (2) feet above the highest point of a flat roof or mansard roof.
 4. Canopy or awning signs. Canopy or awning signs shall meet the following requirements:
 - a. Sign copy, including logo, not to exceed twelve (12) square feet or fifty percent (50%) of awning face area whichever is less.
 - b. No flashing or intermittent illumination permitted.
 - c. Awning signs are considered wall signs for area calculation and location purposes.

5. Projecting signs. Projecting signs shall meet the following requirements:
 - a. Project not more than Two (2) feet from the face of a wall and shall not project over any public right-of-way.
 - b. Mounted no higher than fifteen (15) feet above the finished grade and allow no less than ten (10) feet of clearance between the bottom of the sign and the finished grade.
 - c. The area of the sign shall be included in the total square footage allowed for flat and wall signs on the side of the building on which it is mounted.
6. Changeable copy signs. Changeable copy or electric message center signs are not permitted.
7. Window Signs. Window signs shall meet the following requirements:
 - a. Signs which are intended to be visible from the public right-of-way and are painted on or temporarily affixed to the window surface shall cover no more than twenty five percent (25%) of the entire surface area of a group of windows
 - b. Shall not be affixed as to block clear view of exits or entrances or to create a safety hazard.
 - c. Neon and other illuminated signs are not permitted in windows.
8. Gas Stations Signs. Signs for canopies over gas islands are allowed as follows:
 - a. Sign copy shall be a maximum of thirty percent (30%) of the face of the canopy.
 - b. The height to the top of the canopy fascia shall not exceed twenty (20) feet from grade, and no canopy fascia shall exceed four (4) feet in height.
 - c. Individual letters, logos, or symbols shall not exceed four (4) feet in height or project out from the fascia or wall more than six (6) inches.
9. Menu Boards. Menu boards for drive-up windows are to be reviewed and approved by the Planning Department. The following shall apply:
 - a. Only two (2) menu boards are allowed per site and shall be located behind the front landscaped setback area.
 - b. Maximum area shall not exceed sixty-four (64) square feet per sign and eight (8) feet in height.
10. On-Premises Development Identification Signs. On-premises development identification signs shall meet the following requirements:

- a. Each lot or parcel of commercial or industrial property shall not have more than one (1) sign per public or private street frontage identifying future site development.
- b. The sign shall not be erected before the proposed development has been submitted for site plan review and must be removed before final inspection or before permanent signs are installed.
- c. The sign shall not exceed fifteen (15) feet in height, and the maximum size shall be determined by the lot or parcel size as follows:

Less than two (2) acres: Sixty four (64) square feet.

Two (2) acres or larger: One hundred twenty eight (128) square feet.

14-19-115 SIGNS PERMITTED IN THE DOWNTOWN (DN) ZONE

A. The following sign types are allowed in the Downtown (DN) Zones with a permit:

- 1. Each parcel of property shall be allowed monument signs and any wall and accessory signs as permitted.
- 2. Monument Sign. Monument signs shall meet the following requirements:
 - a. A lot or parcel with less than one hundred (100) linear feet of frontage shall be allowed one (1) monument sign of up to thirty-two (32) square feet with a maximum height of four (4) feet.
 - b. A lot or parcel with one hundred (100) linear feet of frontage or greater shall be allowed one monument sign of up to sixty-four (64) square feet with a maximum height of six (6) feet, or two (2) monument signs of up to thirty-two (32) square feet each with a maximum height of four (4) feet.
 - c. Such sign shall be located at least five (5) feet from any property line, in an area of landscaping equal or greater than the area of the sign, and on a landscaped berm not to exceed two (2) feet in height as measured at the adjacent sidewalk or top back of curb.
- 3. Block Directory Signs.
 - a. The City may erect, or permit to be erected, a sign or sign structure at each corner of Main Street within the Downtown Zone that indicates the businesses located within the physical block on which the sign is located.
 - b. The design, size, and location of these signs shall be determined by the Planning Commission.
 - c. The City Council, or its agent, may charge a fee to recover only the cost of installing, maintaining, and updating the signs.
- 4. Wall signs. Wall signs shall meet the following requirements:

- a. Maximum sign area of twenty percent (20%) of the primary facade of the building with secondary signs allowed on two (2) additional facades not to exceed five percent (5%) of those facades.
 - b. No sign, nor part of any sign, shall extend more than two (2) feet above the highest point of a flat roof or mansard roof. Corner parcels may have a maximum of twenty percent (20%) sign area on both facades facing a public street.
5. Canopy or awning signs. Canopy or awning signs shall meet the following requirements:
 - a. Sign copy, including logo, not to exceed fifty percent (50%) of the awning face area.
 - b. No flashing or intermittent illumination permitted.
 - c. Awning signs are considered wall signs for area calculation and location purposes.
 - d. Properties fronting on Main Street may have an awning and/or awning sign that projects up to six (6) feet over the Main Street right-of-way, as long as all of the following are met:
 - i. The awning is at least five (5) feet horizontally from the improved edge of any vehicle traffic lane or parking stall.
 - ii. There is a minimum clearance of at least seven (7) feet between the sidewalk and any part of the awning.
6. Projecting signs on Main Street. Properties fronting on Main Street may have awnings and/or awning signs that project up to six (6) feet over the Main Street right-of-way, as long as all of the following are met:
 - a. Any part of the sign is at least five (5) feet horizontally from the improved edge of any vehicle traffic lane or parking stall
 - b. There is a minimum vertical clearance of at least ten (10) feet between the sidewalk and any part of the sign.
 - c. The awnings are maintained in a safe manner. Any awning that is deemed unsafe by the City Engineer is declared to be a public nuisance and may be summarily removed.
7. Projecting signs not on Main Street. Projecting signs not along Main Street shall be allowed and shall meet the following requirements:
 - a. Project not more than four (4) feet from the face of a wall and shall not project over any public right of way.

- b. Mounted no higher than fifteen (15) feet above the finished grade and allow no less than ten (10) feet of clearance between the bottom of the sign and the finished grade.
 - c. The area of the sign shall be included in the total square footage allowed for flat and wall signs on the side of the building on which it is mounted.
- 8. Changeable copy signs. Manual changeable copy signs are allowed but are limited to not more than fifty percent (50%) of any sign area. Electronic reader boards and panels are prohibited.
- 9. Window Signs. Window signs shall meet the following requirements:
 - a. Window signs which are intended to be visible from the public right-of-way and are painted on or temporarily affixed to the window surface shall cover no more than twenty five percent (25%) of the entire surface area of a group of windows.
 - b. Shall not be affixed as to block clear view of exits or entrances or to create a safety hazard.
 - c. This applies also to inside illuminated signs (e.g., neon, etc.) which are within eighteen (18) inches of the window surface.
 - d. No sign permit required.
 - e. All window signs will be counted as part of the total allowed sign area for wall signs.
- 10. Gas Stations Signs. Signs for canopies over gas islands are allowed as follows:
 - a. Sign copy, corporate logos, etc. shall be a maximum of ten percent (10%) of one (1) face of the canopy.
 - b. The height to the top of the canopy fascia shall not exceed twenty (20) feet from grade, and no canopy fascia shall exceed four (4) feet in height.
 - c. Individual letters, logos, or symbols shall not exceed four (4) feet in height or project out from the fascia or wall more than six (6) inches.
- 11. Menu Boards. Menu boards for drive-up windows are to be reviewed and approved by the Planning Department. The following shall apply:
 - a. Only two (2) menu boards are allowed per site and must be located behind the front landscaped setback area.
 - b. Maximum area shall not exceed sixty-four64 square feet per sign and eight (8) feet in height.
- 12. On-Premises Development Identification Signs. Each lot or parcel of commercial or industrial property shall have not more than one (1) sign per public or private

street frontage identifying future site development. The sign shall not be erected before the proposed development has been submitted for site plan review and must be removed before final inspection or before permanent signs are installed. The sign shall not exceed fifteen (15) feet in height, and the maximum size shall be determined by the lot or parcel size as follows:

Less than two (2) acres: Sixty four (64) square feet.

Two (2) acres or larger: One hundred twenty eight (128) square feet.

B. Other Approvals.

1. All new multi-tenant centers/buildings shall submit a proposal for all on-premises signs to the Planning Commission for design and placement approval.
2. In cases with parcels of land of three (3) acres or larger, and with frontage of two hundred (200) feet or more, a proposal for the overall design and placement of all on-premises signs shall be submitted. Such signs may vary from the regulations set forth herein and shall be considered as a conditional use for existing projects, or as a condition of site plan approval for new projects. This provision does not grant the applicant any expectation of approval of any sign that differs from the requirements of this Title; rather it allows the City the ability to approve signing schemes appropriate to the scale and impact of a project. The approving body must determine that the proposed sign exceptions are not in conflict with the purpose and intent of this Chapter, are in harmony with the general plan and surrounding development, and are appropriate to the scale and impact of the project.

14-19-116 SIGNS PERMITTED IN ALL RESIDENTIAL ZONES

Allowable Signs. The following signs are permitted in Residential Zones. Home occupation signs shall be in conformance with the standards set forth in section 14-17-105 Home Occupation Requirements.

- A. Temporary Sign: One temporary sign not to exceed twelve (12) square feet.
- B. Identification Signs for Institutional Uses such as Public Buildings, Private Schools and Churches: One monument or one wall mounted identification sign will be allowed for public buildings, private schools and churches. Monument identification signs shall not exceed 40 square feet in area and shall not exceed 6 feet in height including a maximum 3 foot high base (not included in the sign area). Monument signs shall be placed a minimum of 5 feet from all property lines on a landscaped berm not to exceed two (2) feet in height as measured at the adjacent sidewalk or top back of curb and shall not be located in a vision clearance area as defined in this Title. There shall be at least 2 square feet of landscaped area for each square foot of sign area. Wall mounted signs shall not exceed 24 square feet and shall not be located higher than the eave of the building.
- C. Parks and Publicly Owned Golf Courses: May have signs as approved by the Bountiful City Council.

14-19-117 TEMPORARY SIGNAGE

- A. PURPOSE. Permanent signs permitted by this Chapter are intended to allow adequate and reasonable location of signs for local businesses. However, the City realizes that from time to time it is necessary for a business to advertise special events and other commercial messages. To help businesses address this issue, the following regulations have been established for temporary banners and signs.
- B. Any temporary sign shall be subject to the following:
1. A temporary sign shall be located on-premises only, except for an A-Frame sign which may be located in a parkstrip immediately in front of the premises in accordance with the provisions of this Title.
 2. A temporary sign shall not be located within five (5) feet of any public sidewalk or any public right-of-way, except for an A-Frame sign which may be located in a parkstrip immediately in front of the premises in accordance with the provisions of this Title.
 3. A temporary sign shall not be illuminated, flash, blink, spin, rotate, block traffic visibility of vehicles entering onto a public street or cause a public nuisance of any kind.
 4. A temporary sign shall not be located closer than twenty-five (25) feet to any residential zone or use.
 5. A temporary sign shall not be located within a clear-view area as set forth in this Title.
 6. For any single or two tenant property, the following shall apply:
 - a. Any tenant with less than ten thousand (10,000) sq. ft. of building area shall not display more than one (1) temporary sign at any time. The maximum area of any temporary sign shall be thirty-two (32) sq. ft.
 - b. Any tenant with greater than ten thousand (10,000) sq. ft. of building area shall not display more than two (2) temporary signs at any time. The maximum combined area of the two (2) signs shall be forty-eight (48) sq. ft.
 - c. Where a property abuts two (2) streets, one (1) additional sign, oriented to the other abutting street, shall be permitted.
 7. For any multi-tenant property, the following shall apply:
 - a. Any business with less than ten thousand (10,000) sq ft of building area shall not display more than one temporary sign at any time. The maximum area of any sign shall be twenty-four (24) sq ft. However, in no instance shall there be displayed more than three (3) temporary signs per one hundred (100) linear feet of frontage.

8. A temporary sign shall be a banner, wall sign, A-Frame sign, or a pedestal type sign. No other type of sign is permitted.
9. The following items are not lawful temporary signs: a portable reader board, any type of electric sign, a sign attached to another sign or sign structure, a balloon, a streamer, an inflatable device, and/or a vehicle or trailer with any graphics or advertisements.
10. A temporary sign shall be substantially constructed and adequately weighted, anchored, or attached to the ground to protect the public and property.
11. No permit shall be required for a temporary A-Frame sign that is removed at the end of each business day.
12. An A-Frame sign shall be designed, constructed, and installed such that it will lay flat if it is contacted by any object.
13. Any temporary sign, other than an A-Frame sign, shall be posted not more than one (1) time each business quarter, for a maximum of thirty (30) concurrent days.
14. No temporary sign shall be taller than six (6) feet in height.
15. Zones
16. Permit required.

14-19-118 SIGN PERMIT PROCESS

- A. No person shall erect, install, or paint any sign, or change the face of any sign, whether it be temporary or permanent in nature, without obtaining a sign permit from the Planning Department except as outlined in this Code. This includes new signs, signs to be added to existing buildings or uses, and existing signs that are to be enlarged, changed, or otherwise altered.
- B. Any sign shall be constructed of low maintenance, weather resistant materials.
- C. The approval for a sign or sign application shall be based on the following criteria and standards:
 1. Conformance to the provisions of this Chapter and all other ordinances and standards of the City.
 2. The impact upon the health, safety, and welfare, of community.
 3. The effect of the sign upon ingress, egress, internal traffic circulation, off-street parking facilities, loading and service areas and pedestrian ways.
 4. Compatibility with surrounding structures and signs.

5. Concealment of all mechanical equipment, appurtenances, and utilities, from view. Electrical boxes, wires, or switches, and other related devices shall be an integral part to the sign design.
 6. The location of the sign upon the premises.
 7. The location of existing signs, if any, upon the premises, or in the immediate area.
- D. The Planning Department, Administrative Committee, Planning Commission or City Council shall have the function, duty, and power to approve, disapprove, or approve a sign permit with conditions, as dictated by this Title.
- E. A sign permit shall be reviewed and approved as follows:
1. New Developments. Preliminary plans for signs in new developments must first be approved by the Planning Commission during the site plan approval process. A sign permit shall be issued only after it is determined that the proposed sign complies with the approved sign plan and with the provisions of this Chapter.
 2. Existing Developments. Issuance of any sign permit for an existing development or where ownership of a legal existing business changes and necessitates a new sign, the permit may be approved by the Planning Department provided that the sign meets the requirements of this Chapter.
- F. An application for a sign permit shall be filed with the Planning Department on a form provided. It shall include:
1. All required fees.
 2. Clear and complete graphics and written information adequate to show compliance with all applicable requirements of this Chapter.
- G. The Planning Director or his designee shall review any permit application submittal for compliance. If any part of the submittal requires review and/or approval by any land use authority other than the Planning Director, the applicant shall submit the plans to that body and receive its approval prior to the issuance of a sign permit. Any permit which meets the requirements and criteria of this Title shall be approved. A permit which does not meet the requirements and criteria of this Title shall be returned to the applicant.
- H. The decision of the Planning Director may be appealed as set forth in Section 14-2-106 of this Title.
- I. At least two (2) copies of the following specific information shall be provided in writing for the sign types indicated:
1. Monument and Freestanding or Pole Signs.
 - a. A site plan showing the location of any and all signs, including existing and proposed. The site plan shall include:

- i. The location of any buildings on the property and within fifty (50) feet on adjacent properties,
 - ii. Property lines and dimensions,
 - iii. The required setback from property lines, public-rights of-way, intersections, easements, and driveways,
 - iv. Any required landscaping.
- b. An accurately dimensioned, scaled drawing showing height, color, square foot dimensions, landscaping, sign composition, type of illumination and how the sign will appear from the street.
 - c. Details of sign construction including an electrical plan and foundation scheme. If the sign constitutes a structure or otherwise falls under the jurisdiction of the International Building Code, then the foundation plan shall be stamped and signed by a Licensed Utah Professional Engineer.

2. Wall Signs.

- a. A scaled drawing showing square foot dimensions of the building and the sign, the sign composition and the type of illumination (if applicable).
- b. A profile drawing of how the sign will appear from the street/parking area and on the building.
- c. Details of sign construction and attachment, including an electrical plan (if applicable).

3. Temporary signs requiring permits.

- a. A site plan showing the location of any and all signs, including existing and proposed. The site plan shall include:
 - i. The location of any buildings on the property and within fifty (50) feet on adjacent properties,
 - ii. Property lines and dimensions,
 - iii. The required setback from property lines, public rights-of-way, intersections, easements and driveways,
 - iv. Any required landscaping.
- b. Length of period for display and the type of request.

J. **ADDITIONAL INFORMATION REQUIRED.** The following additional information shall be required with all sign permit applications:

1. A current Bountiful City business license or a completed business license application, where applicable.
2. Business address and phone number.
3. Property owner address of and phone number.
4. General and/or electrical contractor's license number.
5. Value of the sign.

14-19-119 SAFETY AND LOCATION STANDARDS FOR PERMANENT SIGNS

- A. Any sign erected in Bountiful City shall comply with the provisions of the current National Electrical Code, International Building Code, the Bountiful City Code and this Code effective at the time the permit is issued.
- B. Any permanent sign shall be engineered to demonstrate conformance with the applicable provisions of the current International Building Code and, where required by this Code or by the Chief Building Official, shall be accompanied by a drawing stamped by a structural engineer licensed by the State of Utah attesting to the adequacy of the proposed construction of the sign and any supporting device.
- C. No sign, fixture, or device involving electrical wiring or connections shall be erected or installed in Bountiful City except by a licensed and bonded contractor.
- D. All permanent signs must be built of durable and permanent materials.
- E. Permanent power sources for signs must be concealed underground or within a structure and away from public view and immediate access.
- F. No sign or other advertising structure shall be erected which in any manner may be confused with a public necessity sign, official traffic sign or signal, or which bears words normally used in such signs, i.e., stop, go slow, caution, danger, warning, turn here, turn, etc.
- G. No sign or any advertising structure shall be erected which by reason of its size, location, shape, content, coloring, or manner of illumination might be confused as a traffic control device.
- H. No sign shall have lighting which impairs the vision of anyone traveling upon a public right-of-way or distracts any driver or pedestrian so as to create a public nuisance.
- I. No sign, except for a regulatory sign, shall be located within a clear-view area, as set forth in section 14-16-108 of this Title.
- J. There are certain situations where a sign poses or may pose an immediate public safety hazard. The following signs are deemed unlawful and hazardous to the public safety, and any employee of the City is authorized to immediately abate, remove or otherwise remedy them:

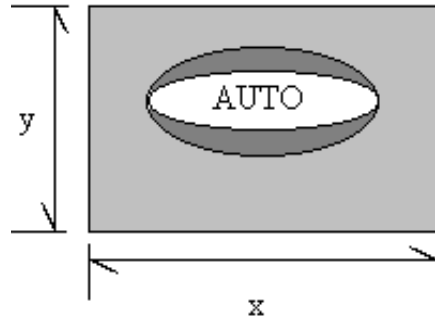
1. Any sign or related structure which interferes with the safe view of drivers entering a public right-of-way from any driveway or property.
 2. Any sign that extends over any pedestrian or vehicular access area, unless specifically authorized by the City.
 3. Any sign which interferes with the use of any fire escape, exit, required stairway, door ventilator, or window.
 4. Any sign which has less horizontal or vertical clearance from communication lines and/or energized electrical power lines, according the provisions of this Title and the standards of the Bountiful Light and Power Department.
 5. Any sign that is located on publicly owned land, inside street rights-of-way, or on public easements, except signs owned and erected by an authorized public agency or that are specifically authorized herein.
- K. Every sign shall be maintained and kept in good repair, including without limitation, the repair of glass, plastic, or other sign face material which is missing, broken, damaged, or deteriorated and the repair of any pole, frame, support or similar structure which is broken, damaged, or deteriorated.
- L. Every sign shall be maintained as originally approved in its sign permit. This applies to all components of the sign including the sign copy, except:
1. Portions of changeable copy on approved signs.
 2. Changes of copy area only on legally conforming signs. All non-complying signs, and any change to the cabinet, pole, structure, or any other sign element requires a sign permit.
- M. The maintenance, renovation, or repair of a sign may require a building permit under the current International Building Code.
- N. Whenever the use of any sign, as determined by the discontinuance of the permitted use for which the sign was used, or the use of the sign frame or sign supporting structure has been discontinued for a period of 45 consecutive days, such sign, sign frame, or sign supporting structure shall be removed immediately.
- O. All free-standing or monument signs installed in Bountiful City must be incorporated into a landscape design or planter box. Exceptions to this rule must be approved by the Planning Commission.
- P. All on-premises freestanding signs shall have the structural supports covered or concealed with pole covers (pylon covers). The actual structural supports shall not be exposed for the safety and welfare of any person near the said sign.
- Q. All permanent signs shall be permanently mounted on foundations and footings which conform to the International Building Code.

- R. The light from the illumination of any sign shall be carefully directed so that the light is not obtrusive or a nuisance to traffic or adjacent properties; particularly in residential neighborhoods.
- S. All buildings shall be identified with a numbered or lettered street address in addition to optional business identification. The letters or numbers shall be at least four (4) inches in height as required by the Fire Marshall.
- T. Any internally illuminated pole or wall sign, including any electronic reader board or panel, shall be installed with an automatic shutoff timer.

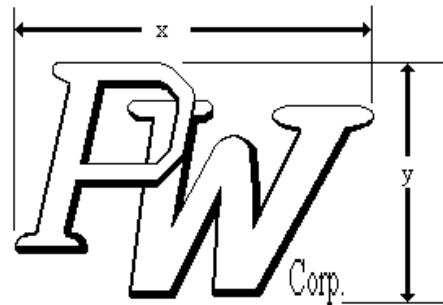
14-19-120 MEASUREMENT OF REGULATED SIGN AREA

A. Flat or Wall Signs

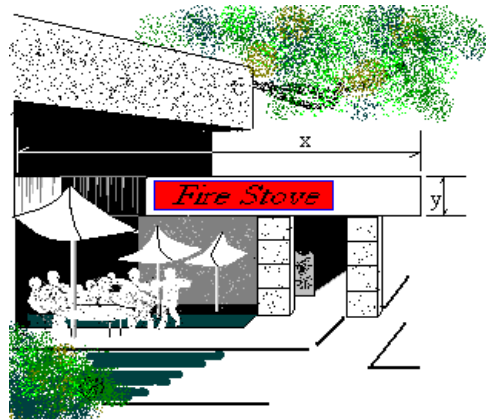
1. Sign copy mounted or painted on a background panel or area distinctively painted, textured, or constructed as background for the sign copy shall be measured as that area contained within the outside dimensions of the background panel or surface.



2. Sign area for copy mounted as individual letters and/or graphics against a wall or fascia of a building or other structure that has not been painted, textured, or otherwise altered to provide a distinctive background for the sign copy shall be measured as the area enclosed by the smallest single rectangle that will enclose all sign copy.

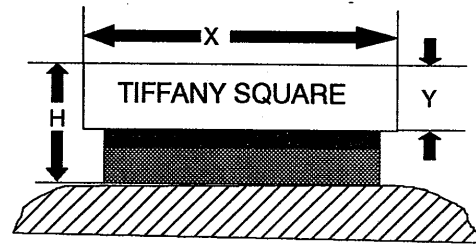


3. For sign copy mounted or painted on an illuminated sign or architectural element of a building, the entire illuminated surface or illuminated architectural element which contains sign copy shall be counted as sign area.



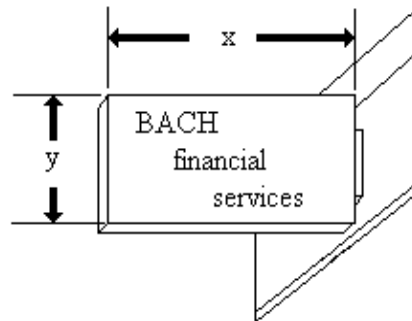
B. Monument Signs.

1. The regulated area of a monument sign shall include all parts of the sign or structure that contains identification (words or symbols) and information.
2. The height of a ground sign shall be the distance from the highest point of the sign to the height of the street or sidewalk.

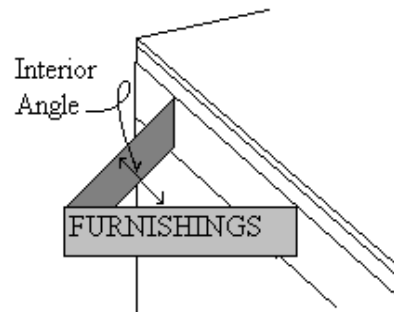


C. Multiple Face Signs. (including but not limited to freestanding or monument signs):

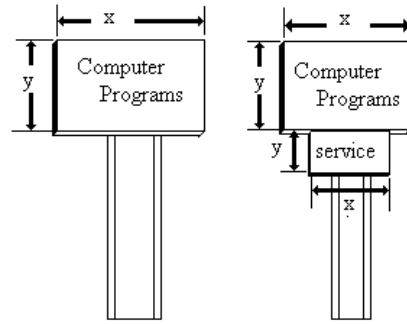
1. Single Panel. Measure the area of the single face only.



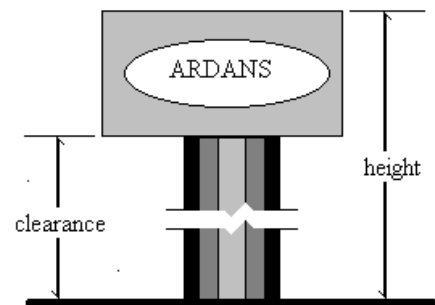
2. Double Panel. If the interior angle between the top two (2) faces is thirty (30) degrees or less, the area to be measured will be the area of one face only. If the angle between the two sign faces is greater than thirty (30) degrees, the sign area to be measured will be the sum of the areas of the two (2) faces.



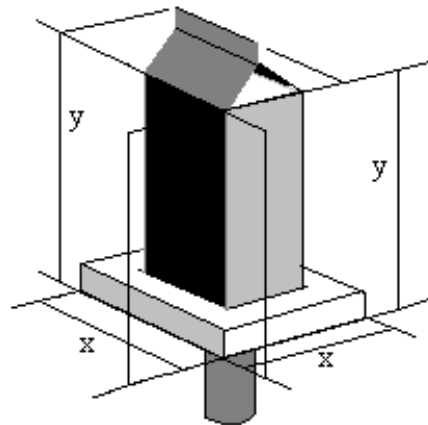
- D. The regulated area of freestanding signs shall include all parts of the sign or structure that contains identification (words or symbols) and information.



1. The height of a freestanding sign shall be the vertical distance measured from the highest point of the sign to the grade of the adjacent street, curb, or sidewalk, or the crown of the street when there is no curb or sidewalk.



2. For spherical, freeform, sculptural, or other non-planer signs, the sign area shall be the sum of the areas of the four vertical sides of the smallest polyhedron that will encompass the sign structure.



14-19-121 ELECTRONIC MESSAGE CENTER STANDARDS

- A. An electronic message center is not allowed in any zone except as set forth in this Chapter.
- B. An electronic message center in any zone shall meet the following criteria:
 - 1. An electronic message center shall not exceed thirty-two (32) square feet.
 - 2. An electronic message center is prohibited if it exceeds more than 50% of the total sign area.
 - 3. An electronic message center shall only be constructed as part of a permitted freestanding (pole), wall or monument sign.
 - 4. An electronic message center shall be located only on a single or double-sided planer sign, and not on a multiple face or other non-planer sign.
 - 5. An electronic message center shall not be constructed in a location that interferes with a regulatory device, as determined by the City Engineer.
 - 6. An electronic message center shall be equipped with a sensor or other device that automatically determines the ambient illumination and must be programmed to automatically dim according to ambient light conditions.
 - 7. Where allowed as a conditional use, conditions may be imposed by the planning commission regarding hours of sign operation, sign height, sign size and/or setbacks from property lines to mitigate impacts on nearby residential properties, to protect critical viewsheds as established in the General Plan, or to prevent potential traffic hazards.
 - 8. An electronic message center shall only be constructed in a location and in a manner permitted by this Title.
- C. An electronic message center in any zone, with the exception of an electronic message center located on Hwy 89, shall be operated at all times in accordance with the following:
 - 1. An electronic message center shall only display static images or scrolling text.
 - 2. An electronic message center shall not display video images, or scintillating images.
 - 3. The minimum display duration shall be four (4) seconds.
 - 4. The maximum image transition duration shall be three (3) seconds.
 - 5. A transition shall be from one image to another either by fading or dissolving to the next image, without the use of flashing, animation, or movement.
 - 6. No image shall be shown on, or with, a white background.

7. The illuminance of an electronic message center shall not increase ambient lighting conditions by more than 0.3 footcandles when measured perpendicular to the electronic message center face at a distance set forth below:

Area of Sign (sq ft.)	Measurement Distance (In ft.)
10	32
15	39
20	45
25	50
30	55
35	59
40	63
45	67
50	71
55	74
60	77
65	81
70	84
75	87
80	89
85	92
90	95
95	97
100	100

8. An electronic message center shall not exceed 7,000 nits during daylight hours.
9. An electronic message center shall not exceed 18,000 nits during evening and nighttime hours.

- D. An electronic message center is allowed only on a commercial property in the following locations within the Heavy Commercial (CH), General Commercial (CG), Mixed-Use (MXD), and Downtown (DN) zoning designations:

Table 14-19-121 D. Electronic Message Center Location, Style, and Approval Process

P = Permitted Use C = Conditional Use X = Not Allowed

<u>Zone</u>	<u>Location</u>	<u>Pole</u>	<u>Monument</u>	<u>Wall</u>
CH, CG	Hwy 89	P	P	P
CG, DN	500 South Street – West of 100 East St.	C	P	C
CH, CG, DN	400 North St. – West of Main St.	C	C	C
CH, CG	2600 South – West of 500 West St.	C	P	C
CG, MXD	Orchard Drive	X	C	X

- E. An electronic message center shall not be located on any property that does not directly front on a street or public right-of-way set forth in section D above.

- F. An electronic message center shall only be oriented toward a street or public right-of-way set forth in Section D, above, and in no other direction.
- G. An electronic message center, and any sign containing an electronic message center, shall be constructed or modified without a permit, unless specifically exempted by this title.
- H. A temporary sign of any kind is not allowed on any parcel or lot with an electronic message center.
- I. If otherwise permitted under §14-19-121, and subject to such conditions that may be established in the conditional use permit process, pole signs legally existing in the Downtown (DN) zone on November 30, 2011, may incorporate an electronic message center, if the entire sign and supporting structure are brought into compliance with the standards for a pole sign within the General Commercial (CG) zone.